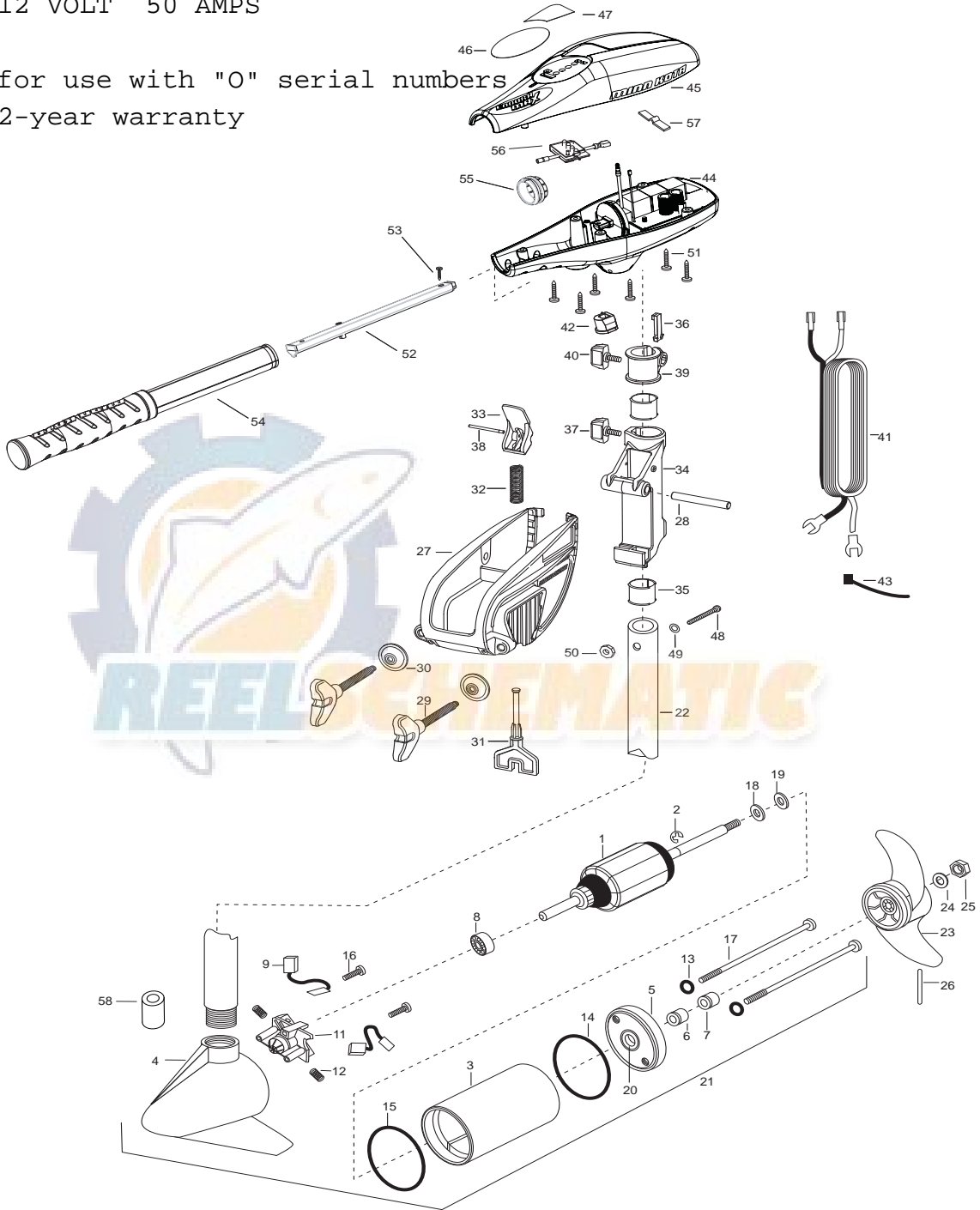


RIPTIDE 55/T 36" & 42" PARTS DIAGRAM

12 VOLT 50 AMPS

for use with "0" serial numbers
2-year warranty



RIPTIDE 55/T 36" & 42" PARTS LIST

In the U.S.A., replacement parts may be ordered directly from MINN KOTA Parts Dept., 121 Power Dr., Mankato, MN 56002-8129. In Canada, parts may be ordered from any of the Canadian Authorized Service Centers. Visit minnkotamotors.com for a current listing. Be sure to provide the MODEL and SERIAL number of your motor when ordering parts. Please use the correct part numbers from the parts list. Payment for any parts ordered from the MINN KOTA parts department may be by Discover Card, Master Card or VISA. To order call 1-800-227-6433 or FAX 1-800-527-4464.

| Item | Part Number | Description | Item | Part Number | Description |
|------|-------------|-------------------------------------------|------|-------------|-------------------------------|
| 1 | 2-100-117 | ARMATURE ASSEMBLY 12v 3.62 | 28 | 2060511 | PIN-HINGE, SS |
| 2 | 788-015 | RETAINING RING | *29 | 2061301 | SCREW-CLAM, SS [2.EA] |
| 3 | 2-200-301 | HOUSING ASSEMBLY CENTER 3.62 TXT | *30 | 2331700 | WASHER-CLAMP SCREW, SS [2.EA] |
| 4 | 420-336 | BRUSH END HOUSING ASSEMBLY 3.62 | 31 | 2063605 | T-BAR, PLASTIC |
| 5 | 2-400-337 | PLAIN END HOUSING ASSEMBLY 3.62 | 32 | 2062706 | SPRING- (T-BAR) |
| 6 | 880-003 | SEAL | 33 | 2067201 | LEVER-TILT BLACK |
| 7 | 880-006 | SEAL W/SHIELD | 34 | 2061810 | HINGES-PLASTIC |
| 8 | 140-010 | BALL BEARING | 35 | 2037301 | BUSHING-HINGE [2.EA] |
| 9 | 188-036 | BRUSH ASSEMBLY [2.EA] | 36 | 2062800 | TENSION BLOCK-SNAP IN |
| 11 | 738-030 | BRUSH PLATE W/HOLDER 3.62 | 37 | 2011386 | SCREW, TENSION/KNOB, SS |
| 12 | 975-040 | SPRING-TORSION [2.EA] | 38 | 2060516 | PIN, TILT LEVER, SS |
| 13 | 701-008 | O-RING- THRU BOLT [2.EA] | 39 | 2061520 | COLLAR-DEPTH |
| 14 | 701-081 | O-RING | 40 | 2011366 | SCREW-COLLAR/NEW KNOB, SS |
| 15 | 337-036 | GASKET | 41 | 2050609 | LEADWIRE |
| 16 | 830-007 | SCREW- SELF THREAD 8-32 [2.EA] | 42 | 2062905 | STRAIN RELIEF |
| 17 | 830-042 | THRU BOLT 10-32X8.83 [2.EA] | 43 | 2026300 | TIE WRAP |
| 18 | 990-067 | WASHER- STEEL THRUST | 44 | 2994041 | CONTROL BOX, WHITE |
| 19 | 990-070 | WASHER- NYLATRON [AS REQUIRED] | 45 | 2060226 | CONTROL BOX COVER, WHITE |
| 20 | 144-049 | FLANGE BEARING (SERVICE ONLY) | 46 | 2095635 | DECAL COVER, RT 55/VS/T |
| 21 | 2097078 | MOTOR ASSY 12V, 36", 3.62 VARIABLE SPD SW | 47 | 2095636 | COVER DECAL, RT/VS/T |
| | 2097093 | MOTOR ASSY 12V, 42", 3.62 VARIABLE SPD SW | 48 | 2033403 | SCREW-10-24 X 1-3/4, SS |
| 22 | 2002021 | TUBE-COMPOSITE, WHITE 36" | 49 | 2061720 | WASHER-NYLON, 3/8 OD, 3/16 ID |
| | 2002022 | TUBE-COMPOSITE, WHITE 42" | 50 | 2333101 | NUT-10-24 HEX, SS |
| ■ | 1378170 | POWER PROP W/DRIVE PIN, WASHER, NUT KIT | 51 | 2372100 | SCREW-8-18 X 5/8, SS [6.EA] |
| 23 | 2091170 | POWER PROP 3.62 HUB DIA | 52 | 2990924 | INNER HANDLE ASSEMBLY |
| 24 | 2151726 | WASHER- 5/16 STD SS | 53 | 2012104 | SCREW-#6 x 1/2" SS |
| 25 | 2198400 | NUT-PROP NYLOCK (MED) SS ANODE | 54 | 2990952 | OUTER HANDLE ASSEMBLY |
| 26 | 2092600 | PIN-DRIVE | 55 | 2060009 | FRONT BEARING |
| ■ | 2771816 | BRACKET & HINGE ASSEMBLY (INCLUDES 27-38) | 56 | 2074080 | BATTERY METER 12V |
| ■ | 2771913 | BRACKET ASSEMBLY (INCLUDES 27, 29, 30) | 57 | 2302742 | SPRING DETENT, OFF |
| *27 | 2061910 | BRACKET | 58 | 2307312 | FERRITE BEAD |
| | | | ■ | 2888460 | SEAL AND O RING KIT |

* This item is part of an assembly. This item cannot be sold separately due to machining and/or assembly that is required.

WIRING DIAGRAM

